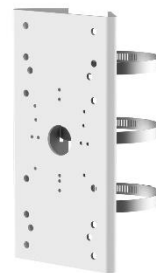


DS-1275ZJ-SUS

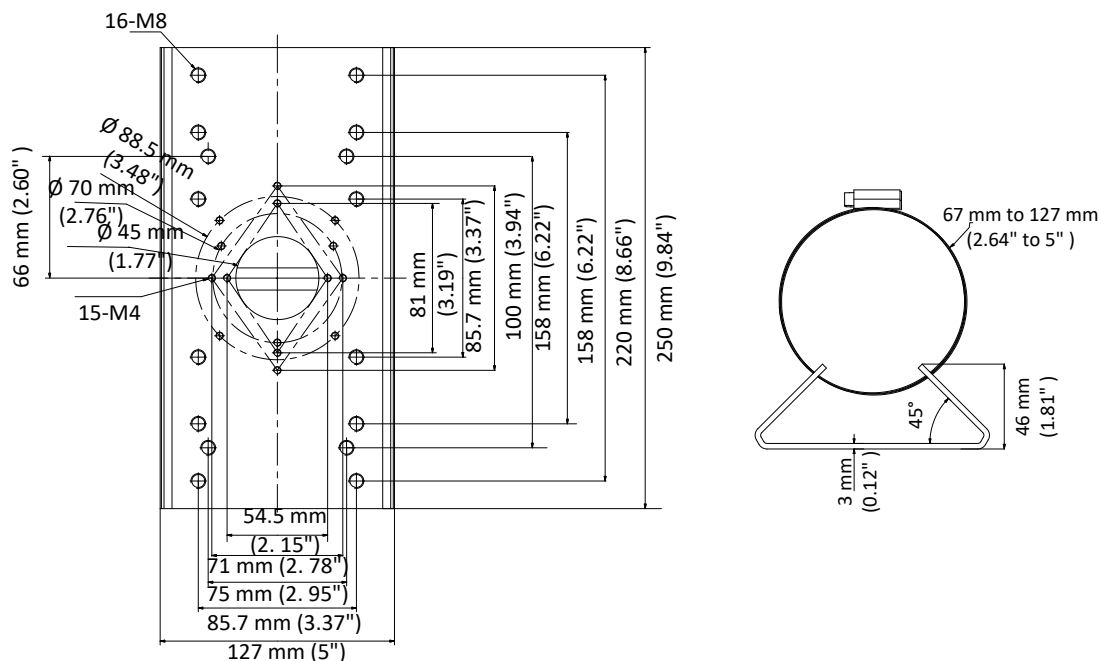
Horizontal Pole Mount



Feature

- Stainless steel with surface spray treatment
- One piece stainless steel formation ensures the reliable structure
- Adjustable diameter from 67 mm to 127 mm

Dimension



Available Model

DS-1275ZJ-SUS

Parameter

| | |
|------------|--|
| Model | DS-1275ZJ-SUS |
| Parameters | Horizontal Pole Mount |
| Appearance | Hikvision White |
| Material | Stainless Steel |
| Dimension | 127 mm × 46 mm × 250 mm (5" × 1.81" × 9.84") |
| Weight | 1480 g (3.26 lb.) |

Note

- Cooperate with the pendant mount, when using this mount.
- The waterproof rubber is necessary for the outdoor application.
- The pole must be capable of supporting at least 3 times as much as the total weight of the camera, and the mount.
- The mount's maximum load capacity is 10 kg (22 lb.).

0100001081019