

DS-2CD2T22-13/-15/-18 (2.0MP)

DS-2CD2T32-13/-15/-18 (3.0MP)

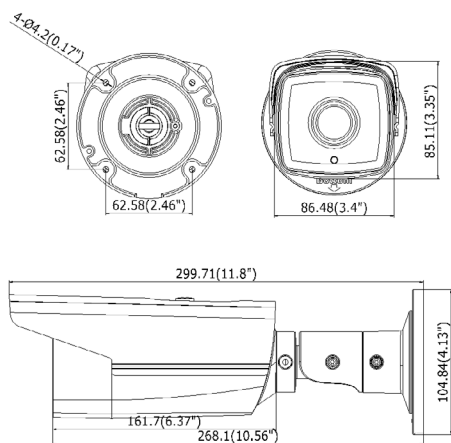
EXIR Bullet Network Camera



Key features

- 1.3MP / 3MP high resolution
- HD real-time video
- DWDR & 3D DNR
- EXIR illuminators: up to 80m
- IP66
- PoE
- Bracket included

Dimensions



Available models

DS-2CD2T22-13, DS-2CD2T22-15, DS-2CD2T22-18
 DS-2CD2T32-13, DS-2CD2T32-15, DS-2CD2T32-18

* 1.3MP model is also available -- DS-2CD2T12-13/15/18

	DS-2CD2T22-13/-15/-18	DS-2CD2T32-13/-15/-18
Camera		
Image sensor	1/3" Progressive Scan CMOS	
Min. illumination	0.01 Lux @(F1.2,AGC ON), 0 Lux with IR 0.014 Lux @(F1.4,AGC ON), 0 Lux with IR	0.07 Lux @(F1.2,AGC ON), 0 Lux with IR 0.1 Lux @(F1.4,AGC ON), 0 Lux with IR
Shutter time	1/3 s to 1/100,000 s	
Lens	4 mm @ F2.5 (6mm, 16mm optional) Angle of view: 80°	4 mm @ F2.5 (6mm, 16mm optional) Angle of view: 76.5°
Lens mount	M12	
Day & night	ICR	
Digital noise reduction	3D DNR	
Wide dynamic range	Digital WDR	
Compression Standard		
Video compression	H.264 / MJPEG	
H.264 codec profile	BaseLine Profile / Main Profile	
Bit rate	32 Kbps ~ 12 Mbps	
Dual Stream	Yes	
Image		
Max. Image Resolution	1920 X 1080	2048 x 1536
Frame rate	50 Hz: 25fps(1920 x 1080), 25 fps (1280 x 960), 25 fps (1280 x 720) 60 Hz: 25fps(1920 x 1080), 30 fps (1280 x 960), 30 fps (1280 x 720)	50Hz: 20fps (2048 x 1536), 25fps (1920 x 1080), 25fps (1280 x 720) 60Hz: 20fps (2048 x 1536), 30fps (1920 x 1080), 30fps (1280 x 720)
Image settings	Rotate mode, Saturation, Brightness, Contrast adjustable by client software or web browser	
Backlight compensation	Yes, zone optional	
ROI	Yes, up to 4 configurable areas	
Network		
Network storage	NAS	
Alarm trigger	Motion detection, tampering alarm, scene change detection, face detection, intrusion detection, Line crossing detection	
Protocols	TCP/IP, ICMP, HTTP, HTTPS, FTP, DHCP, DNS, DDNS, RTP, RTSP, RTCP, PPPoE, NTP, UPnP, SMTP, SNMP, IGMP, 802.1X, QoS, IPv6, Bonjour	
System compatibility	ONVIF, PSIA, CGI, ISAPI	
General functionalities	User Authentication, Watermark, IP address filtering, Anonymous access	
Interface		
Communication interface	1 RJ45 10M / 100M Ethernet interface	
Onboard storage	Built-in Micro SD/SDHC/SDXC card slot, up to 64 GB	
General		
Operating conditions	-30 °C ~ 60 °C (-22°F ~ 140 °F) humidity 95% or less (non-condensing)	
Power supply	12 VDC ± 10% , PoE (802.3af)	
Power consumption	-13: max. 5.5W -15: max. 7W -18: max 10W	-13: max. 5.5W -15: max. 7W -18: max 10W
Ingress protection level	IP66	
IR range	-13: 1 pcs EXIR LED, up to 30m -15: 2 pcs EXIR LEDs, up to 50m -18: 4 pcs EXIR LEDs, up to 80m	
Dimensions	Φ105mmx300mm	
Weight	1200g	