

DS-2CE56F7T-ITM
3MP WDR EXIR Turret Camera



Key Features

- 3 Megapixel high-performance CMOS
- Analog HD output, up to 3MP resolution
- True Day/Night
- OSD menu, DNR, Smart IR
- True WDR, up to 120dB
- EXIR technology, up to 20m IR distance
- IP66 weatherproof
- Up the Coax(HIKVISION-C)



www.hikvision.com

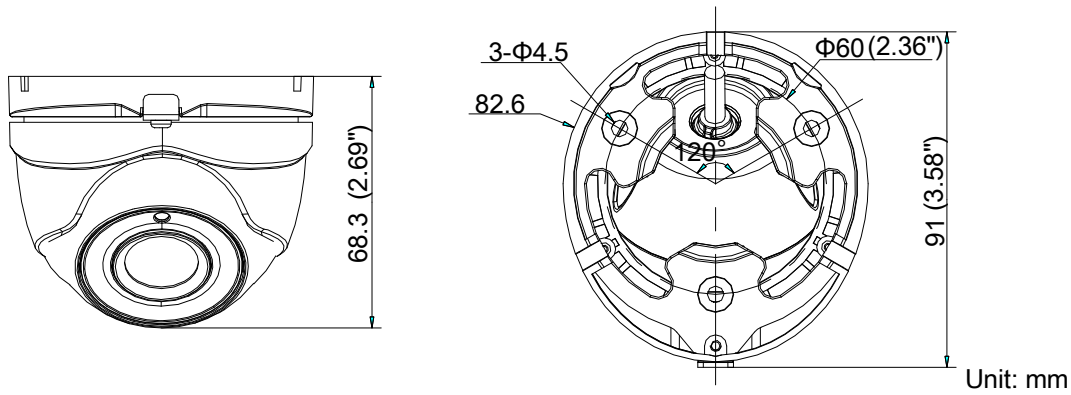
Specifications

| Camera | |
|----------------------|---|
| Image Sensor | 3MP CMOS Image Sensor |
| Effective Pixels | 2052(H)*1536(V) |
| Min. illumination | 0.01 Lux @ (F1.2,AGC ON),0 Lux with IR |
| Shutter Time | 1/25(1/30)s to 1/50,000s |
| Lens | 2.8mm, 3.6mm, 6mm optional |
| | Angle of View: 84°(2.8mm), 67.8°(3.6mm), 44.6°(6mm) |
| Lens Mount | M12 |
| Day & Night | ICR |
| Angle Adjustment | Pan: 0° - 360°; Tilt:0° - 75°; Rotate: 0° - 360° |
| Synchronization | Internal Synchronization |
| WDR | 120dB |
| Video Frame Rate | 1920×1536@18fps |
| HD Video Output | 1 Analog HD output |
| S/N Ratio | >62dB |
| Menu | |
| AGC | Support |
| D/N Mode | Color/BW/SMART |
| White Balance | ATW/ MWB |
| BLC | Support |
| Functions | Wide Dynamic Range, Digital noise reduction, Mirror, SMART IR |
| General | |
| Operating Conditions | -40 °C – 60 °C (-40 °F – 140 °F), Humidity 90% or less (non-condensing) |
| Power Supply | 12 VDC ± 15% |
| Power Consumption | Max. 5W |
| Protection Level | IP66 |
| IR Range | 10 to 20m |
| Communication | Up the coax, Protocol: HIKVISION-C (TVI output) |
| Dimensions | 91mm×82.6mm×68.3mm (3.58"×3.25"×2.69") |
| Weight | Approx. 350g (0.77lb) |

Order Models

DS-2CE56F7T-ITM

Dimensions



Accessories



DS-1272ZJ-110-TRS

Wall Mounting



DS-1275ZJ

Vertical Pole Mounting



DS-1276ZJ

Corner Mounting



DS-1280ZJ-S

Junction Box



DS-1281ZJ-S

Inclined Ceiling Mounting



DS-1H18

Video Balun



X41T

Camera Tester