

DS-2CE16D7T-IT5 HD1080P WDR EXIR Bullet Camera

: i ""<8'6i ""Yh7Ua YfU'k]h 'U': UbHghW, \$'A YhfYg' -F 'B][\h]g]cb



Key Features

- 2 Megapixel high-performance CMOS
- Analog HD output, up to 1080P resolution
- True Day/Night
- OSD menu, DNR, Smart IR
- True WDR, up to 120dB
- EXIR technology, up to 80m IR distance
- IP66 weatherproof
- Up the Coax(HIKVISION-C)



www.hikvision.com

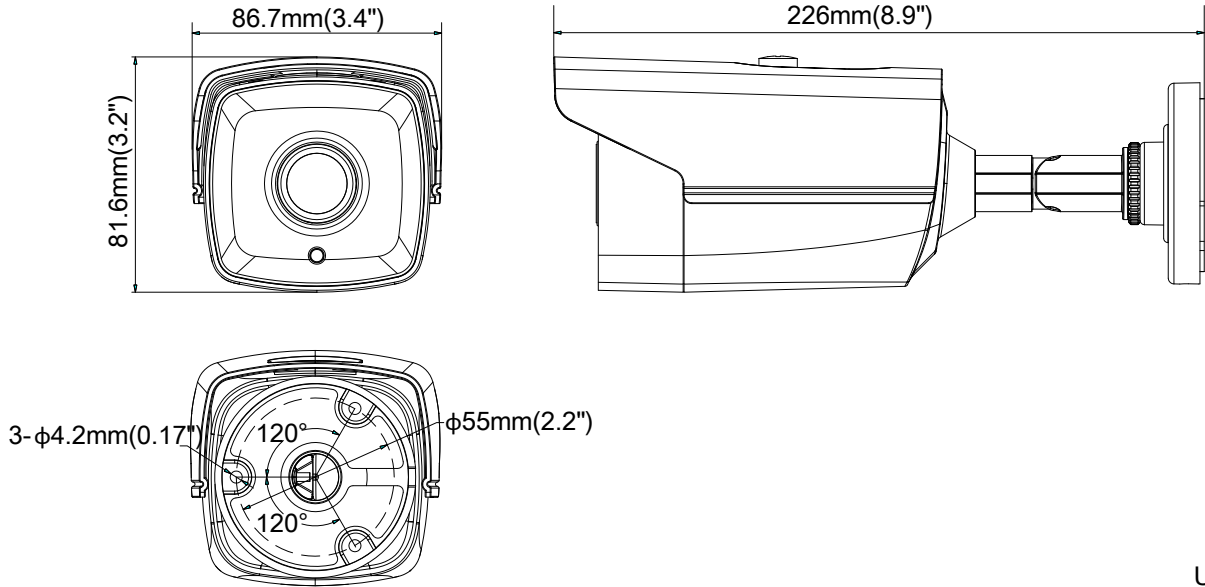
Specifications

Camera	
Image Sensor	2MP CMOS Image Sensor
Signal System	PAL/NTSC
Effective Pixels	1928(H)*1088(V)
Min. illumination	0.01 Lux @ (F1.2,AGC ON), 0 Lux with IR
Shutter Time	1/25(1/30)s to 1/50,000s
Lens	3.6mm, 6mm, 8mm, 12mm, 16mm optional
	Angle of View: 82.2°(3.6mm), 54°(6mm), 37.7°(8mm), 24.3°(12mm), 18.8°(16mm)
Lens Mount	M12
Day & Night	ICR
Angle Adjustment	Pan: 0° - 360°; Tilt:0° - 90°; Rotate: 0° - 360°
Synchronization	Internal Synchronization
WDR	120dB
Video Frame Rate	1080p@25fps/1080p@30fps
HD Video Output	1 Analog HD output
S/N Ratio	>62dB
Menu	
AGC	Support
D/N Mode	Color/BW/SMART
White Balance	ATW/ MWB
BLC	Support
Functions	Wide Dynamic Range, Digital noise reduction, Mirror, SMART IR
General	
Operating Conditions	-40 °C – 60 °C (-40 °F – 140 °F), Humidity 90% or less (non-condensing)
Power Supply	12 VDC ± 15%
Power Consumption	Max. 5W
Protection Level	IP66
IR Range	Up to 80m
Communication	Up the coax, Protocol: HIKVISION-C (TVI output)
Dimensions	86.7mm×81.6mm×226mm (3.41"×3.23"×8.67")
Weight	Approx. 680g (1.5lb)

Order Models

DS-2CE16D7T-IT5

Dimensions



Unit: mm

Accessories



DS-1280ZJ-XS
Junction Box



DS-1H18
Video Balun



X41T
Camera Tester