

DS-2CD2T85G1-I5/I8
8 MP IR Fixed Bullet Network Camera



Key Features

- Up to 8 megapixel high resolution
- Max. 3840 × 2160 @20fps
- 2.8 mm/4 mm/6 mm fixed lens, optional
- H.265, H.265+, H.264+, H.264
- 120dB WDR
- Powered by Darkfighter
- 12 VDC & PoE (802.3af, class 3)
- Support on-board storage, up to 128 GB
- IP67
- BLC/3D DNR/ROI/HLC
- Color: 0.008 Lux @ (F1.2, AGC ON), 0.014 Lux @ (F1.6, AGC ON)



Specification

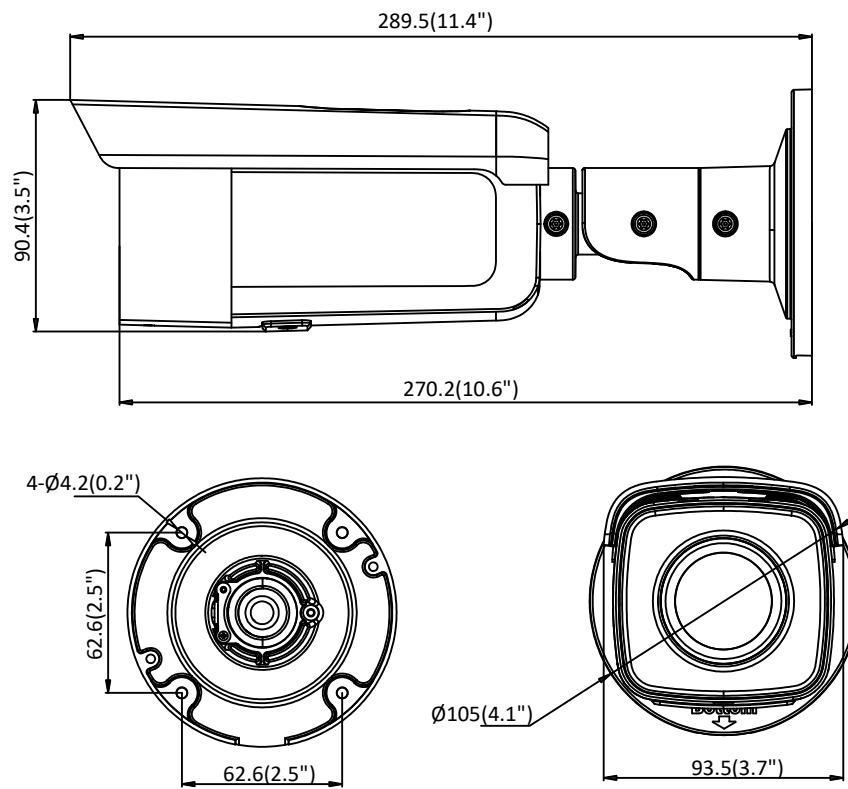
Camera	
Image Sensor	1/2" Progressive Scan CMOS
Min. Illumination	Color: 0.008 Lux @ (F1.2, AGC ON), 0.014 Lux @ (F1.6, AGC ON)
Shutter Speed	1/3 s to 1/100,000 s
Slow Shutter	Yes
Focal length	2.8/4/6 mm
Focus	Fixed
Lens	2.8 mm, horizontal FOV: 102°, vertical FOV: 55°, diagonal FOV: 120° 4 mm, horizontal FOV: 78°, vertical FOV: 43°, diagonal FOV: 92° 6 mm, horizontal FOV: 50°, vertical FOV: 27°, diagonal FOV: 59°
Lens Mount	M16
Aperture	F1.6
Day & Night	IR cut filter
DNR	3D DNR
Wide Dynamic Range	120dB
3-Axis Adjustment	Pan: 0° to 360°, tilt: 0° to 90°, rotate: 0° to 360°
Compression Standard	
Video Compression	Main stream: H.265/H.264 Sub-stream: H.265/H.264/MJPEG Third stream: H.265/H.264
H.264 Type	Main Profile/High Profile
H.264+	Main stream supports
H.265 Type	Main Profile
H.265+	Main stream supports
Video Bit Rate	32 Kbps to 16 Mbps
Image	
Max. Resolution	3840 × 2160
Main Stream	50Hz: 20 fps (3840 × 2160), 25 fps (3072 × 1728, 2560 × 1440, 1920 × 1080, 1280 × 720) 60Hz: 20 fps (3840 × 2160), 30 fps (3072 × 1728, 2560 × 1440, 1920 × 1080, 1280 × 720)
Sub-Stream	50Hz: 25fps (640 × 480, 640 × 360, 320 × 240) 60Hz: 30fps (640 × 480, 640 × 360, 320 × 240)
Third Stream	50Hz: 25fps (1280 × 720, 640 × 360, 352 × 288) 60Hz: 30fps (1280 × 720, 640 × 360, 352 × 240)
Image Enhancement	BLC/3D DNR/HLC
Image Settings	Rotate mode, saturation, brightness, contrast, sharpness and white balance adjustable by client software or web browser
ROI (Region of Interest)	Support 1 fixed region for main stream and sub-stream separately
Day/Night Switch	Day/Night/Auto/Schedule
*Note: When the main stream resolution is 3840 × 2160, max frame rate is 20 fps for all streams.	
Network	
Network Storage	Support micro SD/SDHC/SDXC card (128G) local storage, NAS (NFS,SMB/CIFS), ANR
Alarm Trigger	Motion detection, tampering alarm, network disconnected, IP address conflict, illegal login, HDD full, HDD error
Protocols	TCP/IP, ICMP, HTTP, HTTPS, FTP, DHCP, DNS, DDNS, RTP, RTSP, RTCP, PPPoE, NTP, UPnP, SMTP, SNMP, IGMP, 802.1X, QoS, IPv6, UDP, Bonjour

General Function	One-key reset, anti-flicker, three streams, heartbeat, mirror, password protection, privacy mask, watermark, IP address filter
Firmware Version	V5.5.80
API	ONVIF (PROFILE S, PROFILE G), ISAPI
Simultaneous Live View	Up to 6 channels
User/Host	Up to 32 users 3 levels: Administrator, Operator and User
Client	iVMS-4200, Hik-Connect, iVMS-5200, iVMS-4500
Web Browser	Plug-in required live view: IE8+, Chrome 41.0-44, Firefox 30.0-51, Safari 8.0-11 Plug-in free live view: Chrome 45.0+, Firefox 52.0+
Interface	
Communication Interface	1 RJ45 10M/100M self-adaptive Ethernet port
On-board Storage	Built-in micro SD/SDHC/SDXC slot, up to 128 GB
Reset Button	Yes
Smart Feature-set	
Behavior Analysis	Line crossing detection, intrusion detection, unattended baggage detection, object removal detection
Exception Detection	Scene change detection
Face Detection	Yes
General	
Operating Conditions	-30 °C to +60 °C (-22 °F to +140 °F), humidity 95% or less (non-condensing)
Power Supply	12 VDC ± 25%, 5.5 mm coaxial power plug PoE (802.3af, class 3)
Power Consumption	-I5: 12 VDC, 0.7 A, max: 9 W PoE: (802.3af, 36 VDC to 57 VDC), 0.4 A to 0.2 A, max: 11 W -I8: 12 VDC, 1 A, max: 11 W PoE: (802.3af, 36 VDC to 57 VDC), 0.4 A to 0.2 A, max: 12.9 W
IR Range	-I5: Up to 50 m -I8: Up to 80 m
Wavelength	850 nm
Protection Level	IP67
Material	Front cover: metal, back cover: metal
Dimensions	Camera: Ø105 × 289.5 mm (4.1" × 11.4")
Weight	Camera: 1000 g (2.2 lb.) With package: 1500 g (3.3 lb.)

Available Model

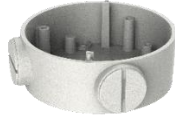
DS-2CD2T85G1-I5 (2.8/4/6 mm), DS-2CD2T85G1-I8 (2.8/4/6 mm)

Dimension



Unit: mm(inch)

Accessory



DS-1260ZJ
Junction Box



DS-1275ZJ-S-SUS
Vertical Pole Mount



DS-1276ZJ-SUS
Corner Mount



DS-1260ZJ(Black)
Junction Box



DS-1275ZJ-SUS(Black)
Vertical Pole Mount



DS-1276ZJ-SUS(Black)
Corner Mount

05058020190523